



PARTS BREAKDOWN PRESSURE WASHER

MODEL: B4414VAAS



BEPOWEREQUIPMENT

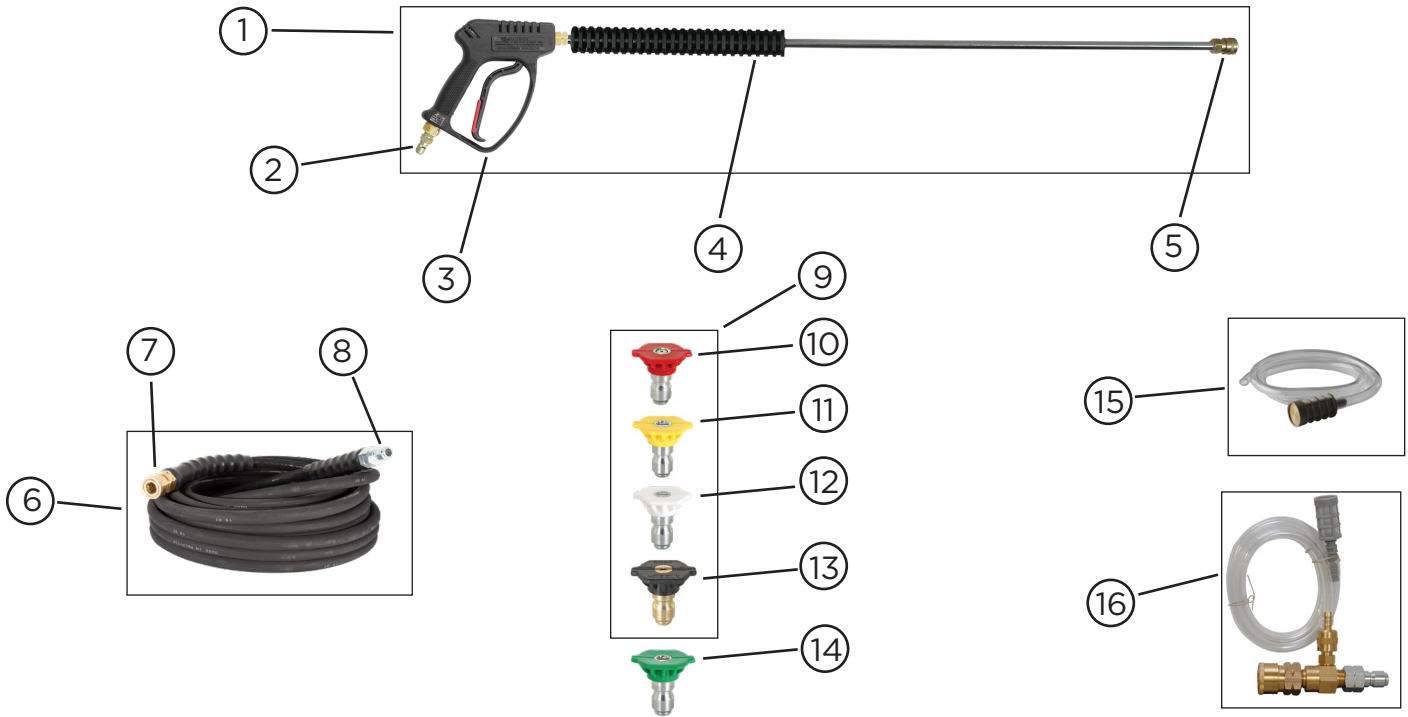
.COM



PARTS BREAKDOWN PRESSURE WASHER

MODEL: B4414VAAS

ACCESSORIES COMPONENTS



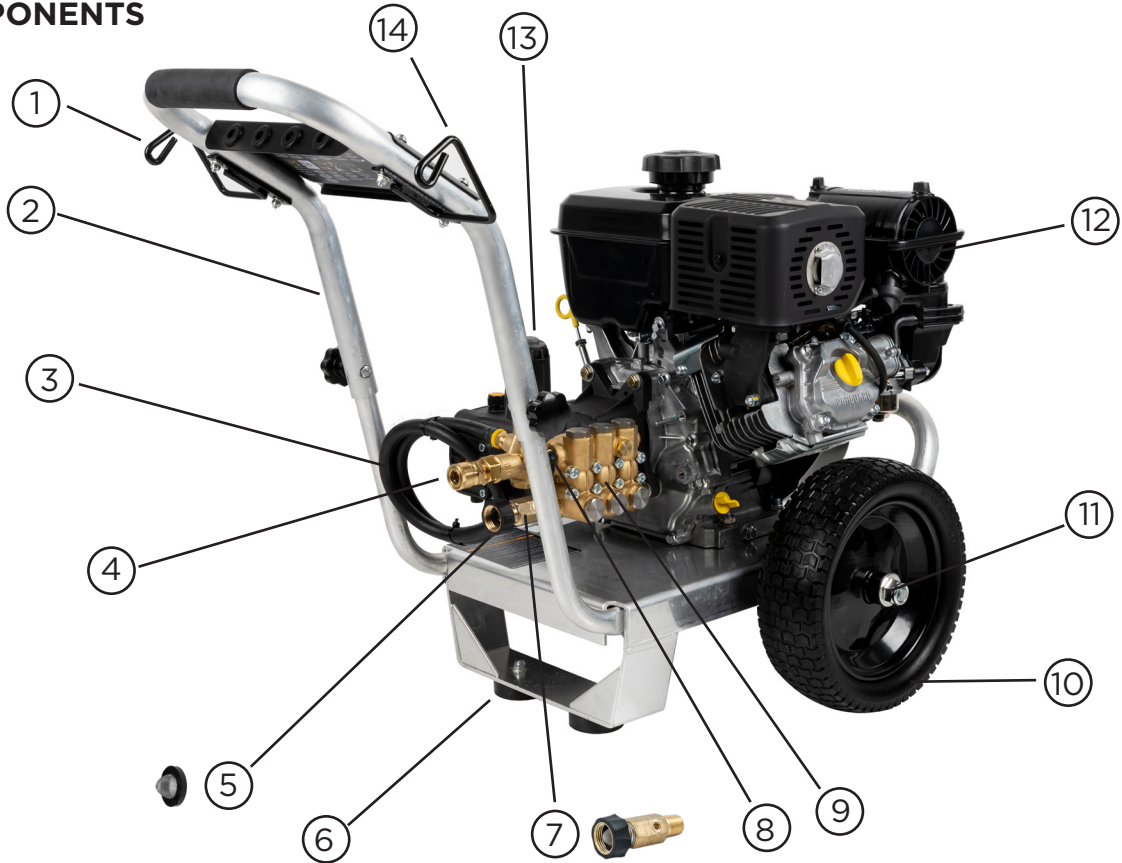
REF #	DESCRIPTION	QTY	BE PART #
1	SPRAY GUN-WAND ASSEMBLY	1	85.205.026
2	SPRAY GUN PLUG	1	85.300.105
3	SPRAY GUN	1	85.202.109
4	SPRAY WAND	1	85.202.026
5	SPRAY GUN 1/4" COUPLER	1	85.300.102
6	50' X 3/8" HOSE ASSEMBLY	1	85.238.153T
7	3/8" HOSE COUPLER	1	85.300.103
8	3/8" HOSE PLUG	1	85.300.104
9	4 PIECE SPRAY NOZZLE SET, 040 ORIFICE	1	85.210.040
10	0° RED SPRAY NOZZLE, 040 ORIFICE	1	85.201.040
11	15° YELLOW SPRAY NOZZLE, 040 ORIFICE	1	85.216.040
12	40° WHITE SPRAY NOZZLE, 040 ORIFICE	1	85.241.040
13	BLACK SOAPER NOZZLE	1	85.266.400
14	25° GREEN SPRAY NOZZLE, 040 ORIFICE (OPTIONAL)	1	85.226.040
15	SOAP PICK-UP TUBE WITH FILTER	1	85.400.005
16	SOAP INJECTOR ASSEMBLY	1	85.400.000



PARTS BREAKDOWN PRESSURE WASHER

MODEL: B4414VAAS

UNIT COMPONENTS



REF #	DESCRIPTION	QTY	BE PART #
1	RIGHT HAND HANGER BRACKET	1	85.601.127R
2	FRAME ASSEMBLY (WHEELS NOT INCLUDED)	1	85.660.129A
3	36" BY-PASS HOSE	1	85.202.078
4	3/8" PUMP OUTLET COUPLER	1	85.300.108
5	INLET FILTER	1	85.308.120
6	ANTI-VIBRATION FOOT PADS	1	85.660.009
7	INLET GARDEN HOSE FILTER FITTING	1	85.308.120
8	THERMAL RELIEF VALVE	1	85.300.022
9	PUMP ASSEMBLY - AR RRV4G42D-F24	1	85.129.042B
10	12" FLAT FREE WHEEL	2	85.660.054BF
11	WHEEL AXLE NUTS	2	09.000.018
12	VANGUARD 400 (25V3) ENGINE	1	85.540.140
13	UNLOADER ASSEMBLY	1	85.300.037
14	LEFT HAND HANGER BRACKET	1	85.601.127L

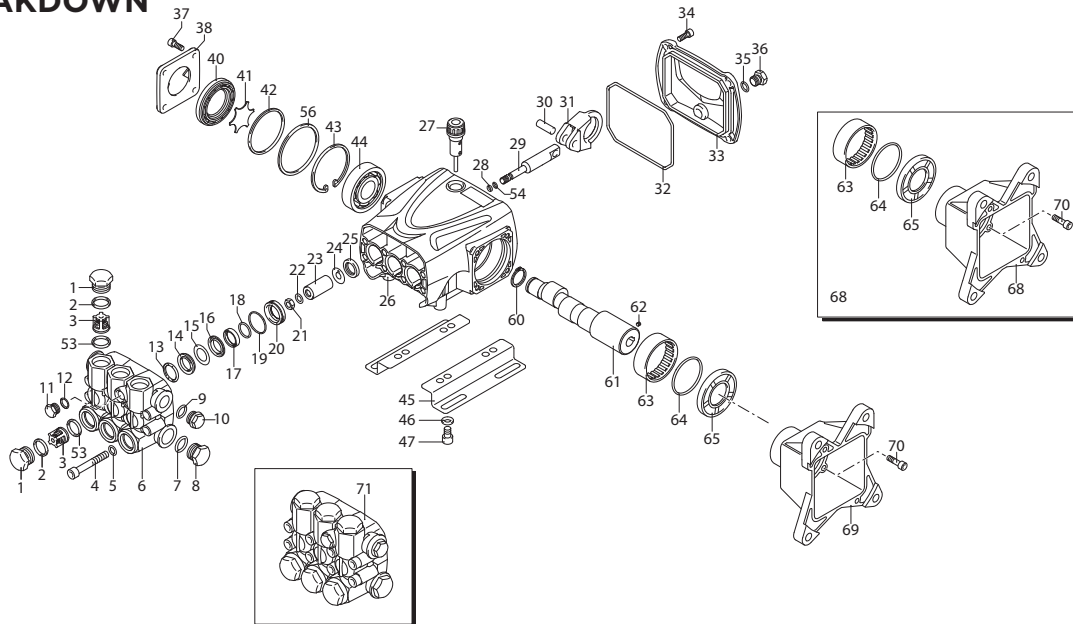
***CHECK WITH VANGUARD FOR 400 (25V3) ENGINE BREAKDOWN AND PARTS**



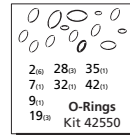
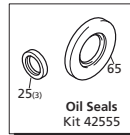
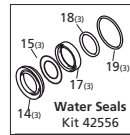
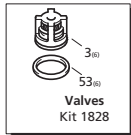
PARTS BREAKDOWN PRESSURE WASHER

MODEL: B4414VAAS

PUMP BREAKDOWN



Repair Kits



Pos	Code	Description	Qty	Pos	Code	Description	Qty	Legend
	960090	Valve Cap	(478 in/lbs) 6	34	3200220	Screw TCEI 6x16	(71 in/lbs) 4	For ○ RRV3G36D
	960850	Valve Cap SST	(478 in/lbs) 6	35	820510	O-Ring ø 10.82x1.78	1	For ● RRV3.5G36D
	9600909	Valve Cap - threaded 1/4" brass	(478 in/lbs) 6	36	880581	Plug 1/4" G	(133 in/lbs) 1	For ◆ RRV4G36D
	9608507	Valve Cap - threaded 1/4" SST	(478 in/lbs) 6	37	1200430	Screw M 6x16	(92 in/lbs) 4	For ■ RRV4G40D
2	960160	O-Ring ø 17.86x2.62	6	38	3200070	Cover	1	
3	889052	Complete valve	6	40	3220080	Oil indicator	1	
4	800860	Screw M 8x55	(225 in/lbs) 8	41	3200090	Disc	1	
5	1381850	Washer	8	42	650560	O-Ring ø 56.82x2.62	1	
6	3220090	Head	1	43	200390	Snap ring	1	
7	180101	O-Ring ø 17.5x2	1	44	1981210	Bearing	1	
8	820361	Plug 1/2" G	(354 in/lbs) 1	45	3200210	Base	2	
9	740290	O-Ring ø 14x1.78	1	46	1322640	Washer	4	
10	1980740	Plug 3/8" G	(221 in/lbs) 1	47	850250	Screw M 8x12	4	
11	880581	Plug 1/4" G	(133 in/lbs) 1	53	880830	O-Ring ø 15.54x2.62	6	
12	820510	O-Ring ø 10.82x1.78	1	54	1080550	Ring	3	
13	2760220	Ring	3	56	3220780	O-Ring ø 61.8x0.5	1	
14	1342761	Gasket	3	60	1260770	Circlip	1	
15	3200680	Ring	3	3220240	Crankshaft - Hollow Shaft	◆ 1		
16	3220150	Piston guide	3	3220450	Crankshaft - Hollow Shaft	● 1		
17	3200690	Gasket	3	3220460	Crankshaft - Hollow Shaft	○ 1		
18	3200700	Ring	3	62	820440	Grub screw M 6x6	1	
19	770260	O-Ring ø 23.52x1.78	3	63	3220260	Bearing	1	
20	3220140	Piston guide	3	64	3220430	O-Ring ø 56.87x1.78	1	
21	1260110	Nut M 8	(106 in/lbs) 3	65	3220270	Oil Seal	1	
22	1260100	Washer	3	66	780060	Screw M 6x25	(92 in/lbs) 4	
23	1780070	Piston	3	68	32202650-1	Flange assembly	1	
24	1260091	Spacer	3	69	3220250	Flange	1	
25	1260460	Ring	3	70	780330	Screw M 6x20	(92 in/lbs) 4	
26	3220010	Pump body	1		42638	Complete head assembly	◆●○ 1	
27	880130	Plug	(44 in/lbs) 1		3229203	Complete head assembly	■ 1	
28	480480	O-Ring ø 4.48x1.78	3					
29	3220060	Piston	3		AR64516	Oil	2	
30	3220070	Conrod pin	3			OIL CAPACITY - 13.35 OZ		
31	3220040	Conrod	3					
32	651540	O-Ring ø 107.62x2.62	1					
33	3220030	Rear cover	1					

BE

POWER EQUIPMENT

If you need technical assistance call:

1-866-850-6662

(8:00am - 4:30pm PST, Mon - Fri)